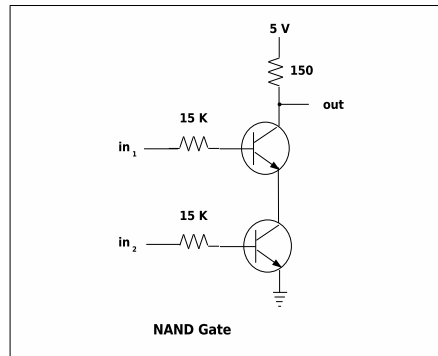


Due: **Friday, September 14 at 9:00 am.**

Submission: Please hand in a (tidy) paper copy at the beginning of class. Recall that you may work with a partner. If you do, please submit a single assignment with both names on it.

1. Draw an analog circuit diagram that implements a NOR-gate, using two transistors.

You may find it useful to reflect on the following diagram for a NAND-gate, as well as the diagrams for the AND, OR, and NOT gates that we worked with in class.



2. Consider the PARITY function, whose output is 0 if the number of true inputs is even, and 1 otherwise. Provide each of the following for a PARITY function that takes 3 input variables.

(i) A truth table.

(ii) An (unminimized) sum-of-products expression.

(iii) A circuit diagram based on (ii) that uses only AND, OR, and NOT gates. (You may use gates that accept more than two inputs if you like.)

(iv) An (unminimized) product-of-sums expression.

(v) A circuit diagram based on (iv) that uses only AND, OR, and NOT gates. (You may again use gates that accept more than two inputs.)

3. Using boolean algebra identities, simplify the following expression to no more than four literals.

$$f = abc + \bar{a}\bar{b}c + \bar{a}bc + \bar{a}\bar{b}\bar{c}$$

Please show your work, and please write the names of the identities you use on each line of your derivation. You may combine more than one identity on a line, and you may use the commutative property without naming it. You may also say “factoring” when you use the distributive property in that way. (The idea is to help me follow your work, not to quiz you on the names.)

4. Prove the following identities using algebraic manipulation. Please follow the directions given in problem 3 for this problem as well.

(i) $\overline{a \oplus b} \oplus c = \bar{a}\bar{b}c + ab\bar{c} + \bar{a}bc + \bar{a}\bar{b}\bar{c}$

(ii) $x_1\bar{x}_2 + \bar{x}_2x_3 + \bar{x}_1x_3 = x_1\bar{x}_2 + \bar{x}_1x_3$